

## RETURN AIR GRILLE

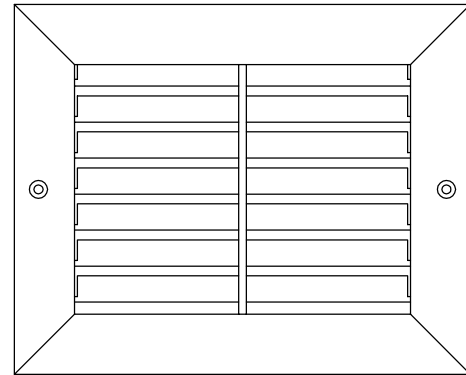
BLADES FIXED AT 40° ANGLE

MINIMUM SIZE: 6" WIDTH x 4" HEIGHT

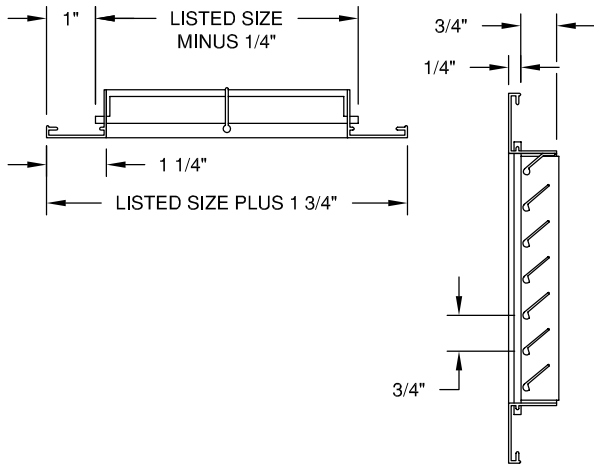
MAXIMUM SIZE: 96" WIDTH x 48" HEIGHT

EXTRUDED ALUMINUM; 6063-T5

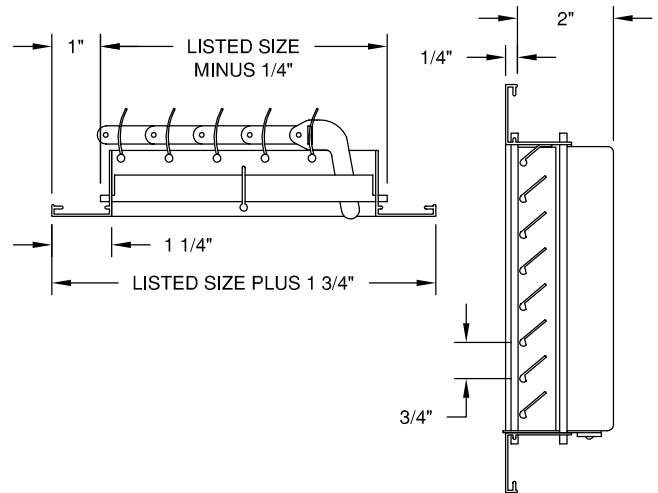
FINISH - SA (CLEAR ANODIZE) OR W (WHITE PAINTED)



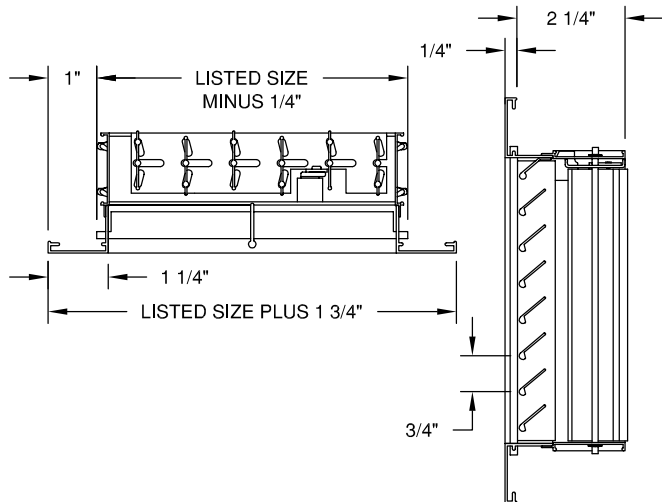
FACE VIEW



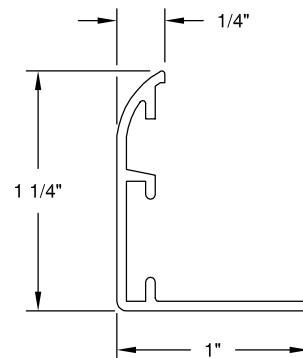
MODEL - GFX - RETURN GRILLE



MODEL - GFXM - MULTI-SHUTTER DAMPER



GFXO - OPPOSED BLADE DAMPER



ALTERNATE "Z" FRAME

DWG NO.

02HV027B

JOB NAME: \_\_\_\_\_

ENGINEER: \_\_\_\_\_

DATE:

10/28/02

LOCATION: \_\_\_\_\_

CONTRACTOR: \_\_\_\_\_

ARCHITECT: \_\_\_\_\_

FINISH: \_\_\_\_\_